

GRIZZLY SCREEN ROL®

“ The GRIZZLY SCREEN ROL® is a tool for coarse separation. It allows the elimination of the finest or biggest elements, or dirty (soil, clay, etc.). It finds its place at the beginning of the process for pre-screening or pre-cleaning before any other processing or treatment. ”



1 | CUSTOMIZED DESIGN

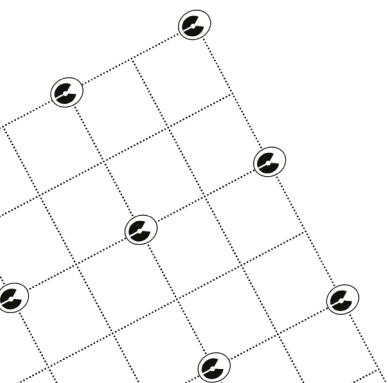
All design criteria such as speed, cuts, particle size distribution, food compatibility, temperature, etc. are integrated to design our machines (surface, amplitude, frequency of vibration, slope, cloths, etc.).

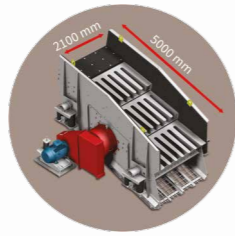
2 | APPLICATIONS

- Quarries
- Mineral industry
- Phosphates
- Environment
- Waste disposal
- Recycling

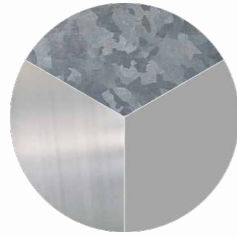
3 | USES

- SCALPING
- SEPARATING (of good product and particles to be eliminated)
- SCREENING
- WASHING





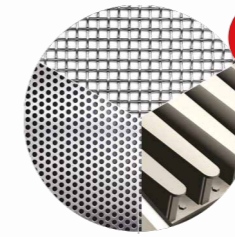
8 REQUIRED SPACE
Fully adjustable to your space constraints within the limits of design rules



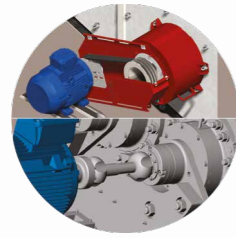
7 FINISH
• Galvanized
• Painted
• Stainless steel



9 STATIC HOOD & VIBRATING BODY
• Bored, assembled and bolted
• Fully removable



10 EQUIPMENTS
• Grizzly (manganese steel)
• Stainless steel, polyurethane or rubber tightened cloths
• Perforated plates



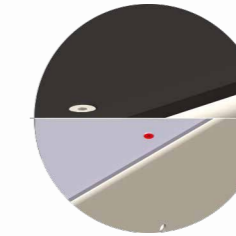
6 COUPLING
• Pulleys and belts
• Universal joint



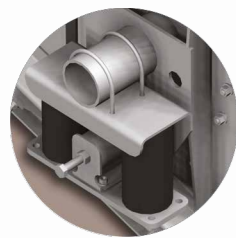
11 LUBRIFICATION
Grease or oil



5 ERGONOMICS
• Space between decks until 850 mm



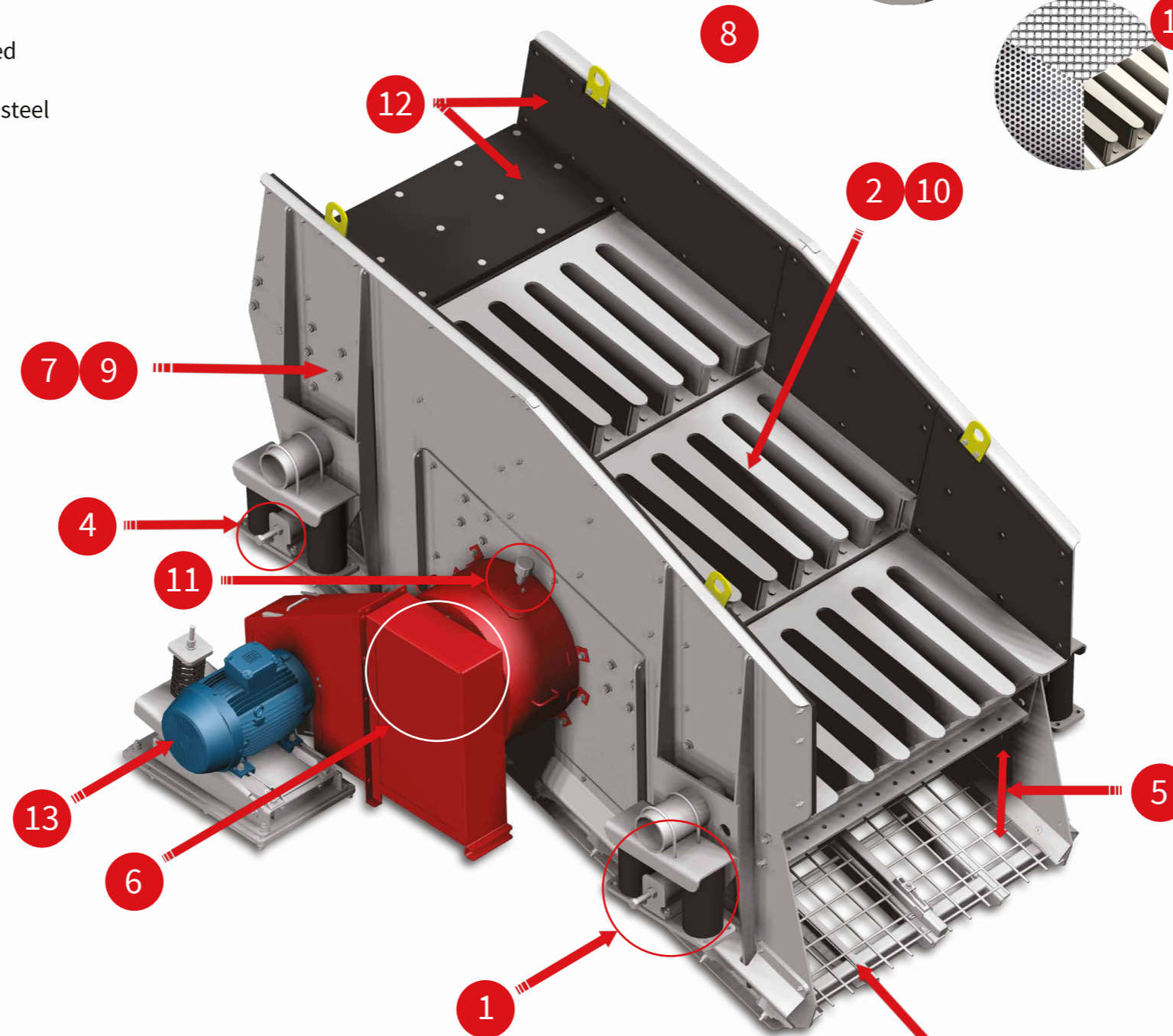
12 PROTECTION FOR ABRASIVE PRODUCT
• By rubberizing
• By shielding



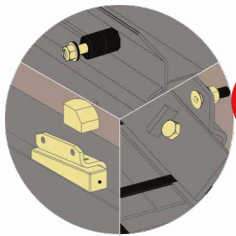
4 AMPLITUDE LIMITERS
By friction



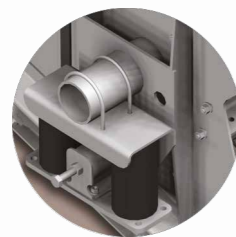
13 CONTROL
• Variable speed unit
• Engine-brake



3 EQUIPMENT SUPPORT FRAME
Fully adjustable



2 SECURING EQUIPMENT
• Lateral tightening
• Clamping
• Fitting (modular panels)



1 SUSPENSION
By helical springs

4 | HIGHLIGHTS

• TOUGHNESS
• STRENGTH
• ECONOMIC

• PROFITABILITY
• EFFICIENCY

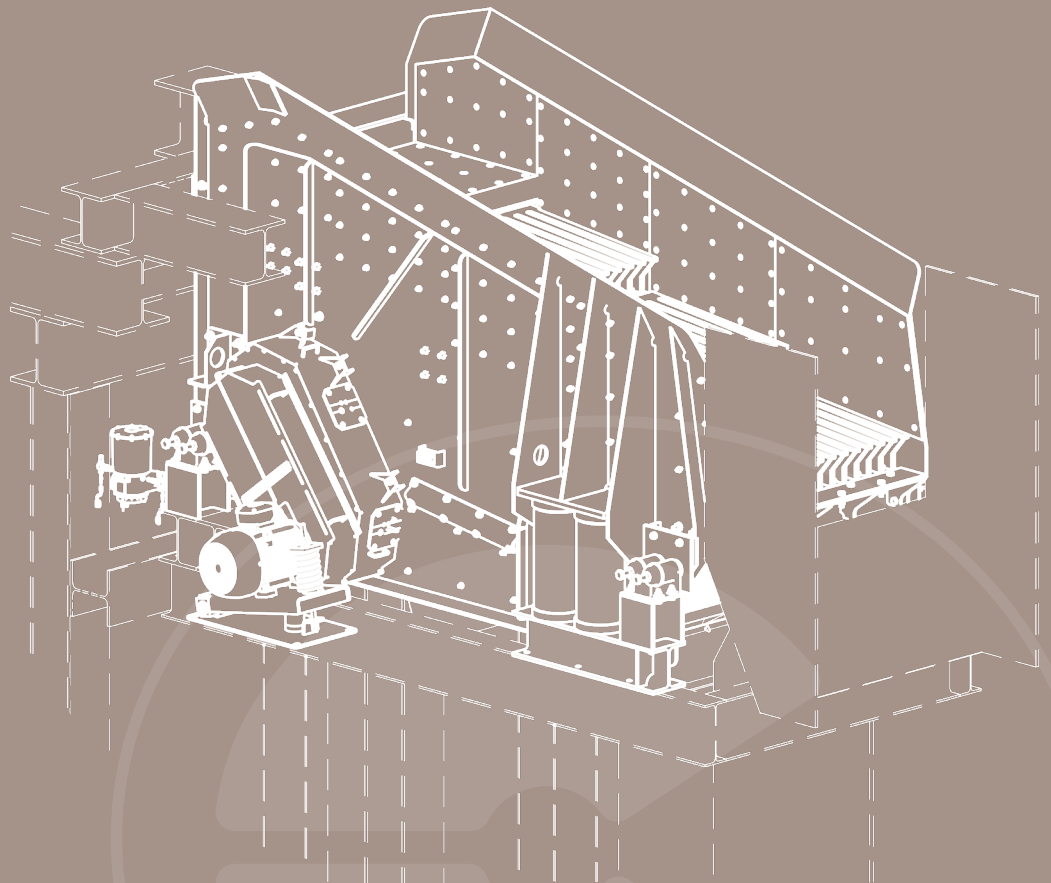
5 | CHARACTERISTICS

- Surface 0.8 up to more 16 m²
- Acceleration 3 to 4 G
- Amplitude 9 to 12 mm
- Speed 750 to 900 rpm
- Slope 12 to 15 degrees
- Number of decks 1 to 2 decks
- Cuts 20 up to more 300 mm
- Machine weight up to 15 tons
- Length 1,000 to 5,800 mm
- Width between sides 800 to 2,100 mm
- Driving power 2.2 kW to 37 kW
- Circular vibration in a vertical plan





6 | HORIZONTAL (or slight slope) GRIZZLY SCREEN RANGE



www.chauvin.fr

info@chauvin.fr

Phone : +33 (0)4 76 09 30 63

Fax : +33 (0)4 76 22 30 54

Head Office

20 rue des Grands Champs

ZI La Rollandière

38360 SASSENAGE - FRANCE

PO Box

BP 70015

38044 GRENOBLE CEDEX 9 - FRANCE

We remain at your disposal for any further information.
CHAUVIN is a subsidiary of SINEX INDUSTRIE.